

# INTERIOR OFFROAD EQUIPMENT

## ALUMINUM - WRAP AROUND BOAT RACK ORDER FORM

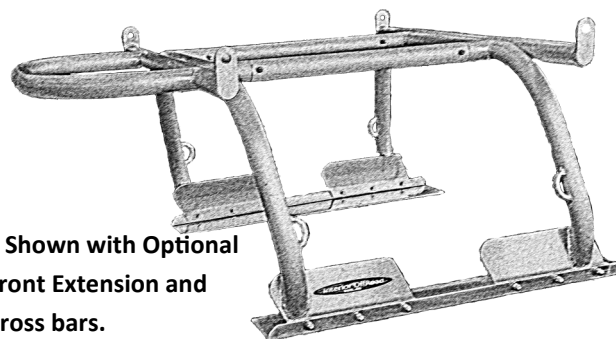
TO ENSURE A PROPER FIT WHEN ORDERING, THE FOLLOWING MEASUREMENTS MUST BE PROVIDED AT THE TIME OF ORDERING OR FAXED BACK WITH YOUR APPROVAL THAT THEY ARE CORRECT.

VEHICLE MAKE:	_____
VEHICLE MODEL:	_____
VEHICLE YEAR:	_____
BED SIZE:	_____
OPTIONAL - 24" FRONT EXTENSION:	
	<input type="checkbox"/> YES <input type="checkbox"/> NO
OPTIONAL - CROSS BARS (2)	
	<input type="checkbox"/> YES <input type="checkbox"/> NO
CROSS BAR WIDTH:	_____ IN INCHES

COMPANY NAME:	_____
SALESMAN:	_____
PHONE #:	_____
FAX #:	_____
CUSTOMER PO#:	_____
DATE:	_____

**REQUIRED CANOPY MEASUREMENTS**  
ALL MEASUREMENTS OUTSIDE ("O.D")

<b>CANOPY MEASUREMENTS</b>	
MAX HEIGHT:	_____
(MEASURE FROM SILL TO TOP OF CANOPY)	
FRONT WIDTH:	_____
BACK WIDTH:	_____
LENGTH:	_____



**\*\*NOTE:**  
IF YOUR CANOPY WRAPS AROUND THE OUTSIDE OF THE TRUCK BED, IOR BOAT RACKS WILL NOT FIT WITHOUT CUTTING OFF LIP OF CANOPY.

